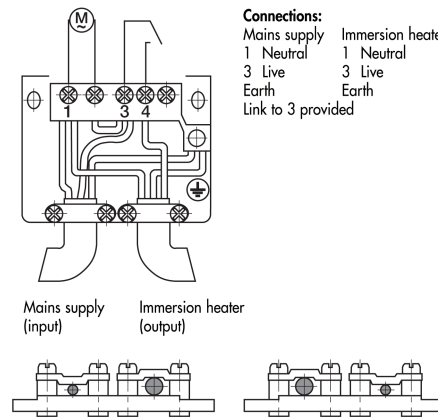




IHT DIGI & IHT DIGI 20 INSTALLATION & USER INSTRUCTIONS

IMPORTANT NOTE: Installation must be carried out by a qualified electrician and conform to current IEE regulations.



SETTING THE CLOCK

- 1 Press and hold the **CLOCK FACE BUTTON**
- 2 Set the **CURRENT DAY, HOUR AND MINUTE** (1-7,H,M)
- 3 Once you have **SET THE DAY, HOUR AND MINUTE**, Release the **CLOCK FACE BUTTON**

SETTING THE PROGRAMMES

- 1 Press and release the **THE PROG BUTTON**
- 2 Input the **DAY OR DAYS, HOURS AND MINUTES** (1-7,H,M)
- 3 Press the **HAND BUTTON** once, **CIRCLE WITH A DOT** SHOULD appear on the display indicating an **ON** command
- 4 Press the **PROG BUTTON** and repeat steps 2 to set up the **OFF** time
- 5 Press the **HAND BUTTON** twice, showing **CIRCLE WITHOUT A DOT** to indicate an **OFF** command
- 6 Repeat steps 1 through 5 if you wish to input more programme settings
- 7 Press and release the **CLOCK FACE BUTTON** to return to normal time
- 8 Press the **PROG BUTTON** sequentially to review or change your programme settings
- 9 When display shows blanks where the time should be, this is your next programme slot
- 10 Press the **PROG BUTTON** once more and an **FR** number will be displayed, this is the amount of programme spaces unused. Now simply press the **CLOCK FACE BUTTON** to return to normal time.

OVERRIDE:

By sequentially pressing the **HAND OVERRIDE BUTTON** you can choose the required function. SEE RIGHT FOR DETAILS

OVERRIDE HAND BUTTON:

TIMED ☉

ON ☉

OFF ○

FIXED ON ☉

FIXED OFF ○

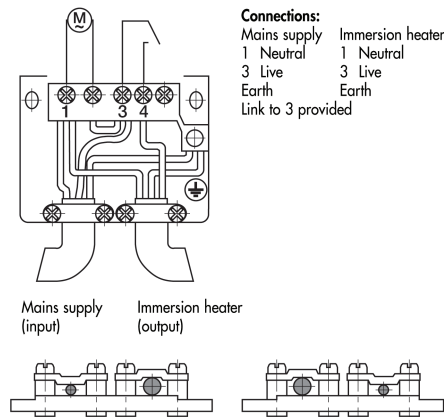


IMPORTANT NOTE:

IF FOR EXAMPLE YOU WANT THE UNIT TO COME ON AT 6 AM TILL 6 PM AND YOU ARE SETTING THIS PROGRAMME UP AT 11 AM THEN WHEN YOU FINISH YOU WOULD EXPECT THE TIMER TO COME ON. THIS IS NOT THE CASE, THE REASON IS THAT YOU HAVE ALREADY PASSED THE ON TIME, (6AM). TO OVERCOME THIS SIMPLY PRESS THE HAND BUTTON AND THE HAND SYMBOL WILL SHOW IN THE DISPLAY AND THE UNIT WILL COME ON. THE TIMER WILL NOW STAY ON UNTIL NEXT PROGRAMMED OFF TIME AND SWITCH BACK TO TIMED MODE READY FOR NEXT PROGRAM

IHT DIGI & IHT DIGI 20 INSTALLATION & USER INSTRUCTIONS

IMPORTANT NOTE: Installation must be carried out by a qualified electrician and conform to current IEE regulations.



IHT DIGI 20

New module design setting current time and programming made easy

Setting the clock

- 1 After pressing the reset button
- 2 24h will flash in the top left corner
- 3 Toggle display mode with + or - between 24 hour or AM/PM
- 4 Then press OK button
- 5 Hours will now flash for current time
- 6 Use + / - to adjust
- 7 Now press OK button
- 8 Minutes will now flash
- 9 Use + / - to adjust
- 10 Now press OK button
- 11 Now the day of the week will flash on left hand side
- 12 Use + / - to adjust
- 13 Now press OK button

Programming

- 1 Prog 01 will now flash (this will be your ON time)
- 2 Press ok
- 3 Hours will now flash for ON time
- 4 Use + / - to adjust
- 5 Now press OK button
- 6 Minutes will now flash
- 7 Use + / - to adjust
- 8 Now press OK button
- 9 Now the day of the week will flash on left hand side
- 10 Use + / - to adjust (1234567 days, 123456 day, 12345 days, or single day options are available)
- 11 Now press OK button
- 12 Prog 02 will now flash (this will be your OFF time)
- 13 Press OK button
- 14 Hours will now flash for OFF time
- 15 Use + / - to adjust
- 16 Now press OK button
- 17 Minutes will now flash
- 18 Use + / - to adjust
- 19 Now press OK button
- 20 Now the day of the week will flash on left hand side
- 21 Use + / - to adjust (1234567 days, 123456 day, 12345 days, or single day options are available)
- 22 Now press OK button

Repeat for as many ON and OFF times required (20 program locations will give a maximum of 10 ON and 10 OFF)

Press MENU BUTTON to quit programming and return to automatic mode (return to normal clock display).

Override

To override the system, use the + button.
This will allow you to switch from ON, OFF and timed.